

Parts List



www.grindex.com

Bravo 300 — 8147.020/.190



Parts List

Bravo 300 — 8147.020/190

Overview

Table of Contents

This publication contains the following topics:

Topic

Introduction	4
Practical Information	5
Data Plate Interpretation.....	6
Order parts.....	10
Motor Parts	11
Non Explosion-proof.....	12
Explosion-proof.....	13
List.....	14
Hydraulic Parts	19
Exploded view	20
List.....	21
Sump Components	22
Exploded view	23
List.....	24

Introduction

Purpose

The purpose of this manual is to give the reader information about available spare parts and accessories for the product.

Recipient

The manual is principally intended for Grindex

- customers
 - service personnel
 - sales personnel
-

Contact

For more information

- contact your Grindex representative
 - visit <http://www.grindex.com/>
-

Reference

More information about the product is available in the following documents:

- Installation, Operation and Maintenance
 - Grindex accessories list
-

Practical Information

Overview

Table of Contents

This chapter contains the following topics:

Topic

Data Plate Interpretation	6
Data Plate.....	6
FM approved version	8
EN approved version	9
Order parts	10

Data Plate Interpretation

Introduction

The Grindex product is always provided with data plates:

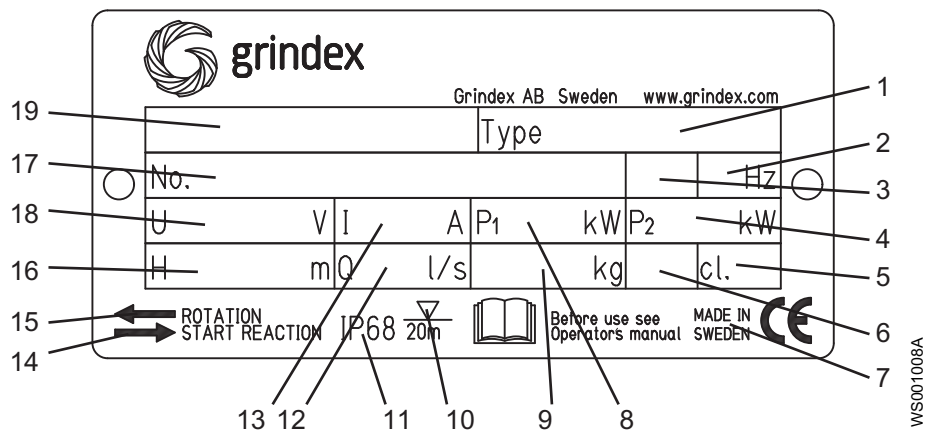
- The data plate is used on all products.
- The approval plate is added to all explosion proof products.

Data Plate

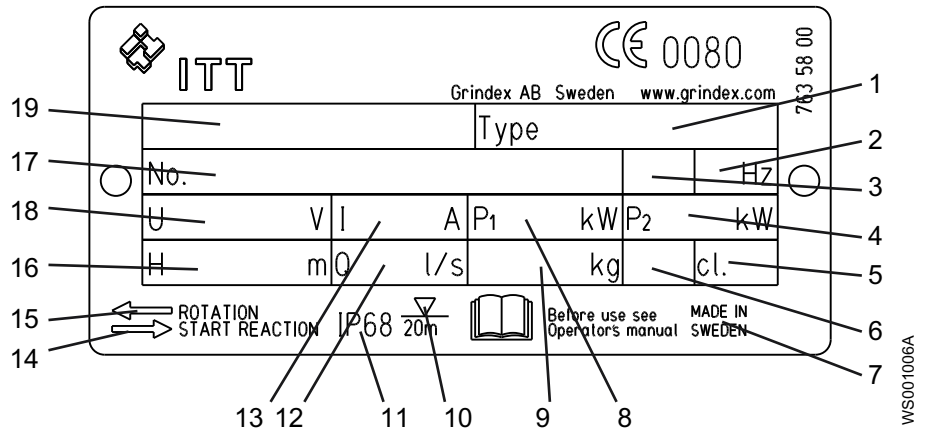
The product may only be operated within the parameters stated on the data plate.

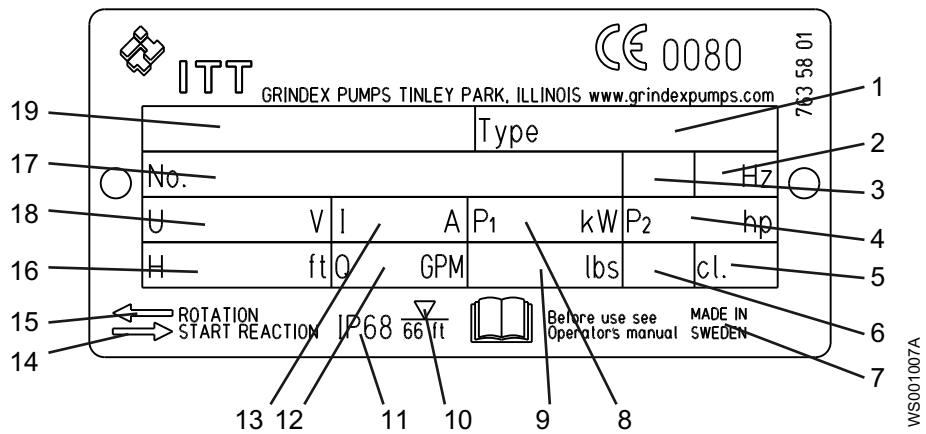
Illustration

This is the data plate for non explosion-proof version .020:



These are the data plates for explosion-proof version .190:





Field description

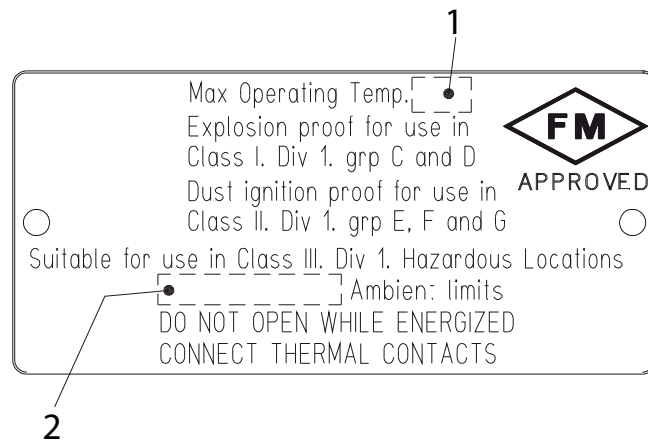
This table shows the fields on the general data plate, and which information each field contains.

Field	Description	Field	Description
1	Pump type number	11	Degree of protection
2	Frequency	12	Maximum capacity
3	Phases, type of current	13	Rated current
4	Rated shaft power	14	Direction of the start reaction
5	Thermal class	15	Direction of the impeller rotation
6	Locked rotor code-letter	16	Maximum head
7	Country of origin	17	Serial number
8	Maximum power consumption	18	Rated voltage
9	Product weight	19	Pump model
10	Maximum submersion depth	-	-

FM approved version

Illustration

This is an illustration of an approval plate for the FM approved product version.



Field description

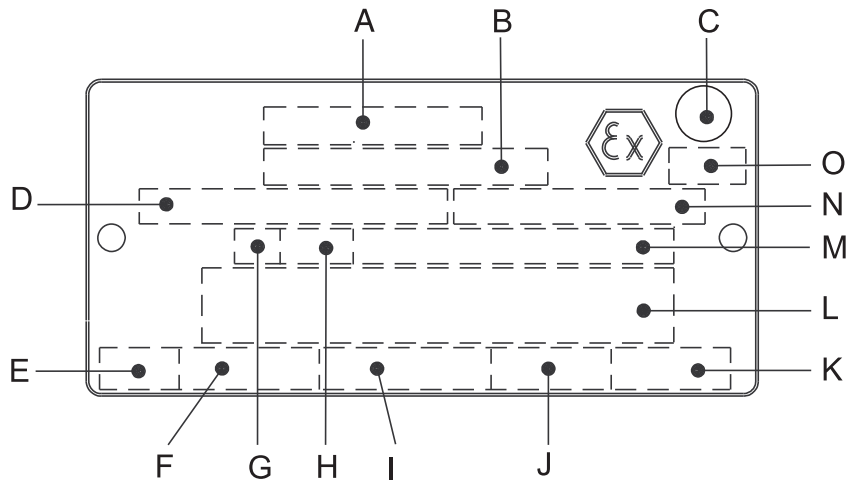
This table shows the fields on the approval plate, and which information each field contains.

Field	Description
1	Temperature class
2	Maximum ambient temperature

EN approved version

Illustration

This is an illustration of an approval plate for the EN approved product version.



Field description

This table shows the fields on the approval plate.

Field	Description	Field	Description
A	Approval	I	Input power
B	Approval authority + Approval Number	J	Rated speed
C	Approval for Class 1	K	Controller
D	Approved drive unit	L	Additional information
E	Stall time	M	Max. ambient temperature
F	Starting current / Rated current	N	Serial number
G	Duty class	O	ATEX marking
H	Duty factor	-	-

Order parts

Order

When ordering spare parts, state product number and serial number of the product, spare part number and quantity.

Requirements

Genuine Grindex parts must always be used for repairs if the product is to fulfill requirements and obtain official approval.

Specially Approved Products

Spare parts marked with (EX) after the part number are subject to dimensional accuracy inspection.

Motor Parts

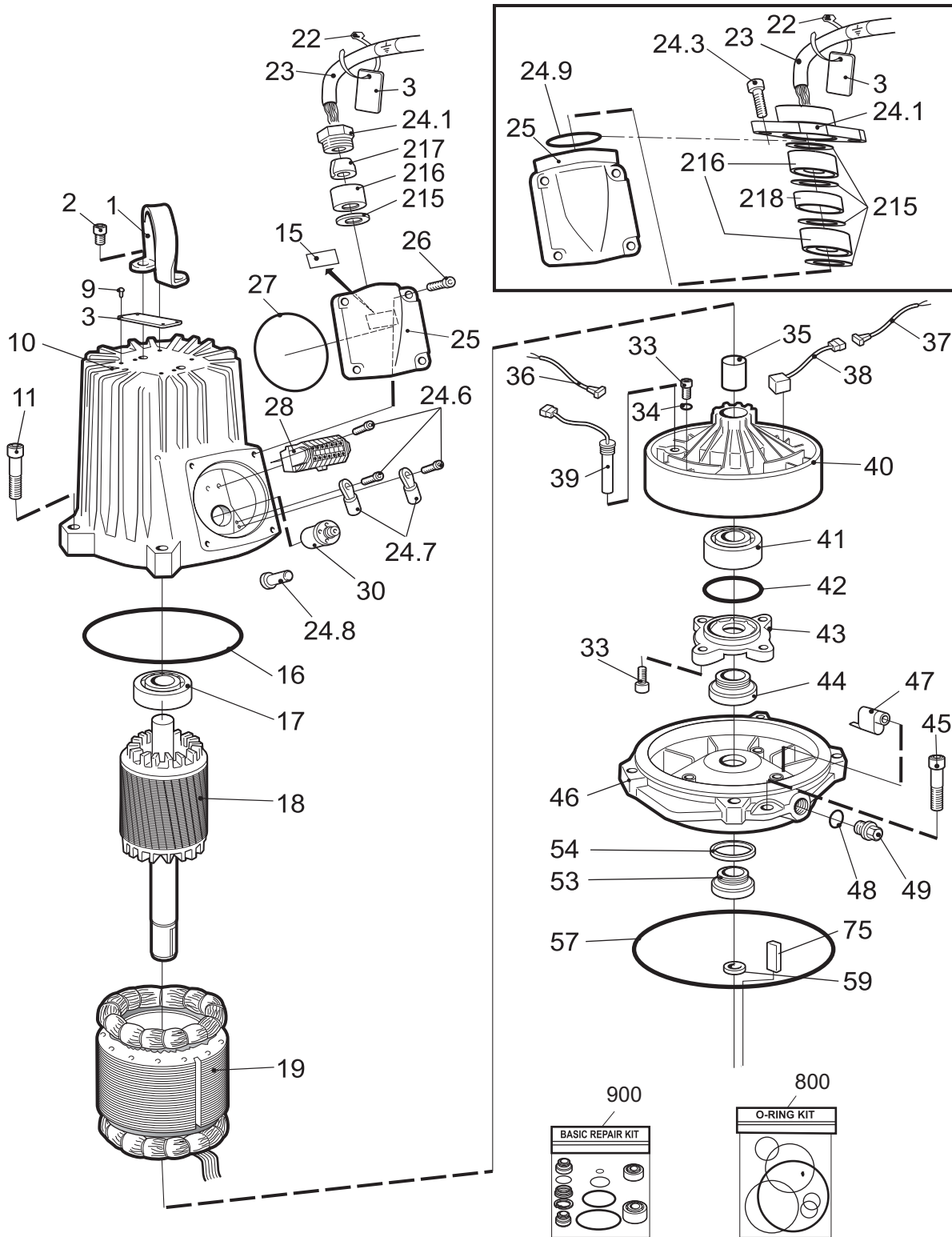
Overview

Table of Contents

This chapter contains the following topics:

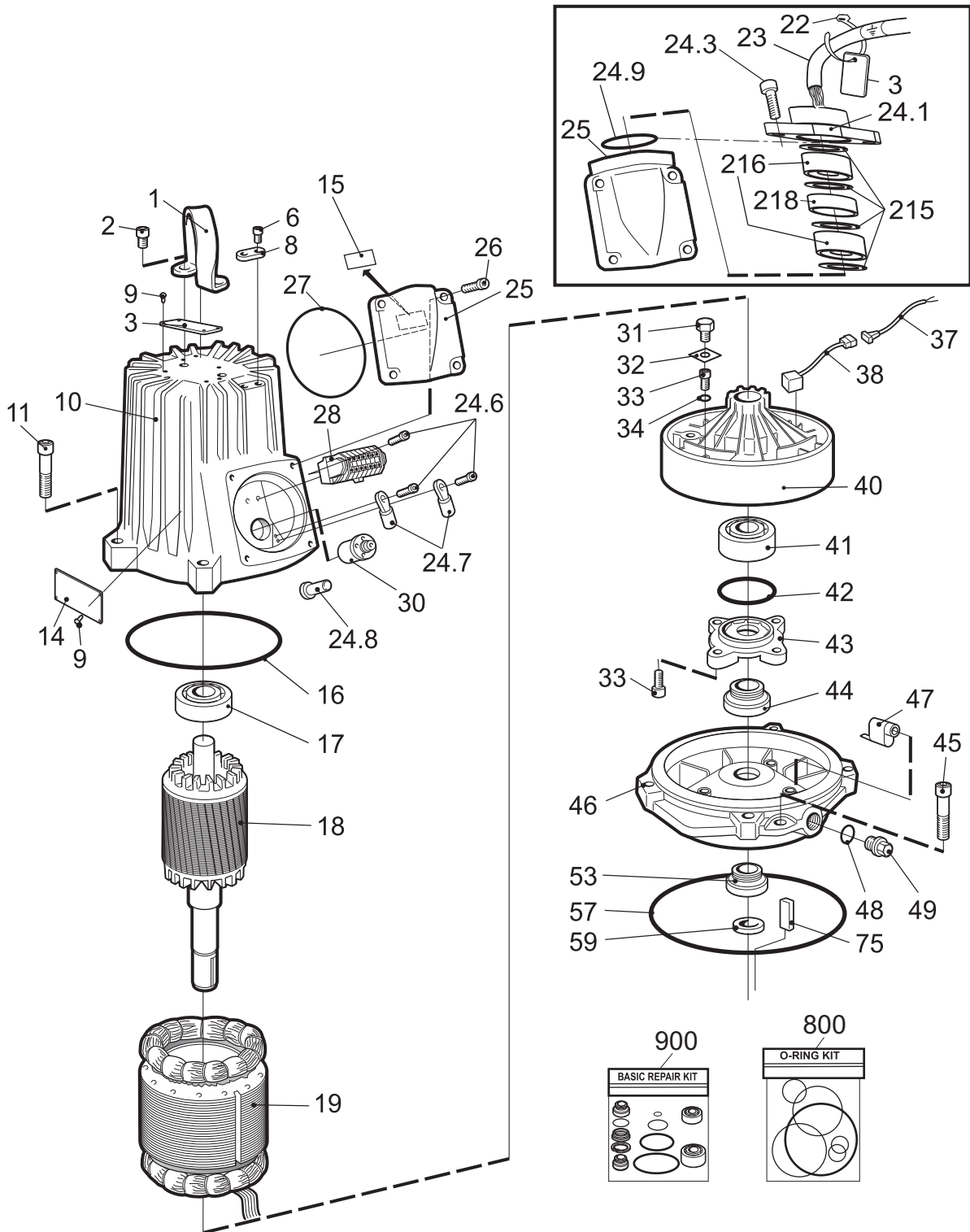
Topic	
Non Explosion-proof.....	12
Explosion-proof.....	13
List.....	14

Non Explosion-proof



20069C

Explosion-proof



20088B

List

Pos. No	Part. No	Denomination	Qty/Version		
			020	190	
1	51 587 00	Lifting handle	1	1	
2	50 022 17	Hex.socket hd screw M10X25-A4-70	ITT Part. No 83 03 23	2	2
3	50 888 00	Plate-blank	Use 50 907 00 (EU), 50 907 01 (US) as spare part for non explosion-proof version.	1	1
3	50 888 00	Plate-blank	Use 51 633 00 (EU), 51 633 02 (US) as spare part for explosion-proof version. ITT Part. No 763 58 00 and 763 58 01 resp.	1	1
6	410 724	Hex.socket hd screw M5X12-A4-70	ITT Part. No 83 02 58		2
8	51 615 00	Earthing plate			1
9	410 000	Drive screw 4X5-A2-70	ITT Part. No 82 20 88	6	10
10	51 566 00	Stator housing		1	
10	51 566 05 (EX)	Stator housing	ITT Part. No 443 53 05		1
11	410 616	Hex.socket hd screw M10X60-A2-70	ITT Part. No 82 00 58		4
11	410 725	Hex.socket hd screw M10X60-A4-70		4	
14	51 648 00	Certificate plate	ITT Part. No 630 69 02		2
14	51 614 00	Certificate plate	ITT Part. No 752 20 00		1
15	50 899 00	Connection plate		1	1
15	50 918 00	Connection plate SCREENED CABLE		1	1
15	51 567 00	Connection plate (FLS+CLS)		1	
15	51 568 00	Connection plate (FLS)		1	1
15	51 569 00	Connection plate (CLS)		1	
15	51 578 00	Connection plate		1	1
15	51 579 00	Connection plate		1	1
16	410 546	O-ring 239.5X5.7 NBR		1	1
17	410 635	Ball bearing 6207,35X72X17		1	1
18	-	Shaft unit			1
18	51 583 00	Shaft unit		1	
19	51 533 12	Stator 21-12-4a	60Hz: 440 - 460V Yser, 220 - 230V Y//.	1	1
19	51 533 12	Stator 21-12-4a	60Hz: 440 - 460V Yser, 220 - 230V Y//. 60Hz: 440 - 460V Yser, 220 - 230V Y//.	1	1
19	51 533 28	Stator 21-12-4a	50Hz: 190 - 200V D. 60Hz: 200 - 220V D.	1	1
19	51 533 29	Stator 21-12-4a	60Hz: 220 - 230V D, 380V Y.	1	1
19	51 533 30	Stator 21-12-4a	60Hz: 380V D.	1	1

Pos. No	Part. No	Denomination	Qty/Version	
			020	190
19	51 533 32	Stator 21-12-4a 50Hz: 346 - 350V Y, 200 - 208V D. 60Hz: 230 - 240V D, 400V Y.	1	1
19	51 533 34	Stator 21-12-4a 50Hz: 380 - 400V Y, 220 - 230V D. 60Hz: 440 - 460V Y, 260V D.	1	1
19	51 533 38	Stator 21-12-4a 50Hz: 660 - 690V Y, 380 - 400V D. 60Hz: 440 - 460V D.	1	1
19	51 533 40	Stator 21-12-4a 50Hz: 400V D. 60Hz: 400V D.	1	1
19	51 533 44	Stator 21-12-4a 50Hz: 400 - 440V D.	1	1
19	51 533 50	Stator 21-12-4a 50Hz: 500V D. 60Hz: 575V D.	1	1
19	51 533 52	Stator 21-12-4a 60Hz: 575 - 600V D.	1	1
22	410 517	Cable tie 200X2.4 PA 6/6 -55+105	1	1
23	-	Motor cable		8
23	131 039	Motor cable 4G2.5 MM2 OD=12.5-13.5MM	*	
23	133 139	Motor cable 4G4 MM2 OD=16-17MM	*	
23	410 059	Motor cable SCREEN 3X2.5 MM2 FGB	*	
23	410 060	Motor cable SCREEN 6X2.5MM2+2X1.5 FGB	*	
23	410 061	Motor cable SCREEN S3X2.5+3X2.5/3+4X1	*	*
23	410 063	Motor cable 7G2.5+2X1.5 MM2 OD=20-23	*	*
23	410 066	Motor cable 14AWG/7 OD=18-20MM	*	
23	410 068	Motor cable 12AWG/7 OD=20-22 MM	*	
23	410 069	Motor cable 10AWG/3-2-1-GC OD=20-22MM	*	*
23	410 129	Motor cable 4G4+2X1.5 MM2 OD=20-22 MM	*	*
23	410 130	Motor cable 7G4+2X1.5 MM2 OD=22-26 MM	*	*
23	410 134	Motor cable 8AWG/3-2-1-GC OD=27-29 MM	*	*
23	410 647	Motor cable SUBC 7G 2.5 MM2	*	
23	50 777 00	Motor cable 4G2.5+2X1.5 MM2 OD=17-18	*	*
24.1	51 407 00	Gland screw FOR CABLE ENTRY	1	
24.1	51 423 00 (EX)	Entrance flange ITT Part. No 642 17 01	1	1
24.3	410 726	Hex.socket hd screw M12X40-A4-70 ITT Part. No 83 03 48	2	2
24.6	410 619	Cutting screw TAPTITE-M6X12 ITT Part. No 82 17 61	3	3

Pos. No	Part. No	Denomination	Qty/Version	
			020	190
24.7	410 636	Cable lug 2.5-6 MM2;M6	2	2
24.7	410 637	Cable lug 6.1-10 MM2;M6	1	1
24.7	410 638	Cable lug 1-2.5 MM2;M6	2	1
24.7	410 639	Cable lug	2	
24.8	410 033	Closed end splice 5.1-10.6;(AWG 18-8) L=38	2	2
24.8	410 034	Closed end splice 3-6(AWG 12-10) L=18	1	1
24.9	410 086	O-ring 49.5X3 NBR	1	1
		Intended for 5142300		
25	51 564 00	Entrance cover	1	
25	51 564 03 (EX)	Entrance cover		1
		ITT Part. No 443 50 03		
25	51 565 00	Entrance cover	1	
26	50 021 14	Hex.socket hd screw M8X35-A2-70		4
		ITT Part. No 82 00 36		
26	50 021 28	Hex.socket hd screw M8X35-A4-80	4	
27	410 018	O-ring 129.5X3.0 NBR	1	1
28.1	410 640	Terminal clamp	6	6
28.1	410 642	Terminal clamp	6	
28.2	410 642	Terminal clamp		6
28.3	410 641	End plate APPA - 11796	1	1
28.4	410 641	End plate APPA - 11796		1
28.6	410 643	End support 35X15	2	2
28.7	51 584 00	Rail 35X15	1	1
28.8	51 580 00	Marking plate		2
28.9	-	Marking tape		2
28.9	50 898 00	Marking tape	1	1
28.9	51 580 00	Marking plate	2	
28.9	51 586 00	Marking strip	2	2
30	51 409 00	El.lead through unit	1	1
31	51 616 00	Screw M14X1.25		3
		ITT Part. No 439 44 01		
32	51 618 00	Square washer		3
33	410 620	Cutting screw TAPTITE-M6X20	7	7
		ITT Part. No 82 17 64		
34	410 622	Sealing washer DUBO NR 301	3	3
35	51 582 00	Sleeve	1	
36	51 588 00	Cable unit	1	
37	51 588 01	Cable unit	1	1
38	51 591 00	Leakage detect.unit (FLS)	1	1
39	51 589 00	Leakage detect.unit (CLS30)	1	
40	51 581 00	Bearing holder	1	

Pos. No	Part. No	Denomination	Qty/Version	
			020	190
40	51 581 01	Bearing holder STANDARD VERSION	1	
40	51 581 02 (EX)	Bearing holder EX.VERSION ITT Part. No 443 55 11		1
41	410 634	Ball bearing 35X80X34.9	1	1
42	410 623	O-ring 78X4 NBR	1	1
43	51 575 00	Bearing cover	1	1
44	51 572 00	Mechanical seal	1	1
45	410 726	Hex.socket hd screw M12X40-A4-70 ITT Part. No 83 03 48	5	5
46	51 573 00	Oil housing bottom	1	
46	51 573 01	Oil housing bottom		1
47	51 563 00	Sleeve	1	1
48	133 064	O-ring 19.2X3.0 NBR	2	2
49	133 063	Inspection screw ITT Part. No 428 22 17	2	2
53	51 593 00	Mechanical seal	1	1
54	51 592 00	Insert ring	1	
57	131 543	O-ring 249.3X5.7 NBR	1	1
59	51 558 00	Ring		1
75	410 615	Parallel key SMS 2306-8H9X7H11X45	1	1
162	410 054	Shrink hose ID 6.4	*	*
166	51 432 00	Connection plate	1	1
166	51 576 00	Connection plate	1	
215	132 334	Plain washer (14)-20 MM		4
215	132 336	Plain washer (20)-32 MM	4	4
215	50 127 04	Plain washer (10)-22 MM	1	
216	410 044	Seal sleeve (12)-14 MM	1	
216	410 045	Seal sleeve (14)-16 MM	1	
216	410 046	Seal sleeve (16)-18 MM	1	
216	410 047	Seal sleeve (18)-20 MM	1	
216	410 112	Seal sleeve (14)-17 MM		2
216	410 113	Seal sleeve (17)-20 MM		2
216	410 114	Seal sleeve (20)-23 MM	2	2
216	410 115	Seal sleeve (23)-26 MM	2	2
216	410 116	Seal sleeve (26)-29 MM	2	2
216	410 117	Seal sleeve (29)-32 MM		2
217	50 926 01	Cable clip (12)-14 MM	1	
217	50 926 02	Cable clip (14)-16 MM	1	
217	50 926 03	Cable clip (16)-18 MM	1	
217	50 926 04	Cable clip (18)-20 MM	1	

Pos. No	Part. No	Denomination	Qty/Version	
			020	190
218	51 025 02	Ring	1	1
800	51 619 00	Basic repair kit	1	1
900	410 694	O-ring kit	1	1
912	133 064	O-ring 19.2X3.0 NBR	4	4
		Extra O-rings for Insp. screws.		
912	410 018	O-ring 129.5X3.0 NBR	1	1
		Extra O-rings for Entrance cover.		

* piece goods

Hydraulic Parts

Overview

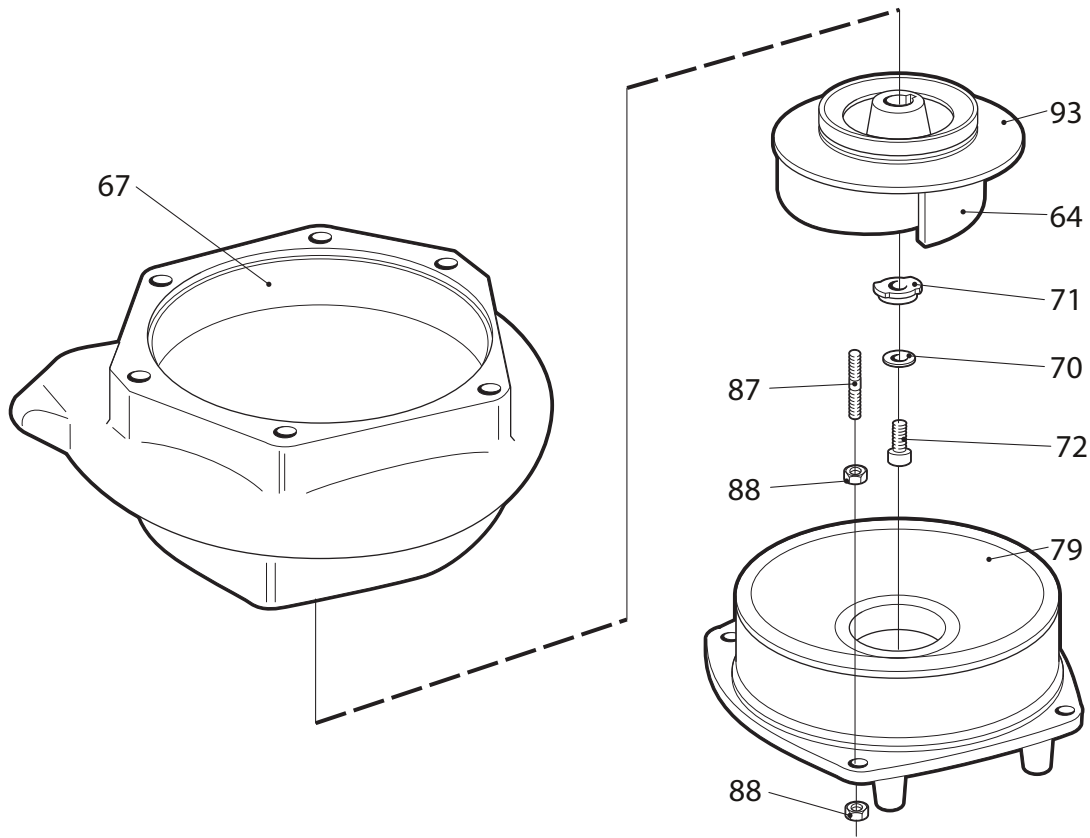
Table of Contents

This chapter contains the following topics:

Topic

Exploded view	20
List.....	21

Exploded view



20070A

List

Pos. No	Part. No	Denomination	Qty/Version	
			020	190
64	51 536 00	Impeller 50Hz.	1	1
64	51 537 00	Impeller 60Hz.	1	1
67	51 535 00	Pump housing	1	1
70	410 210	Plain washer A4-A170	1	1
71	51 542 00	Square nut	1	1
72	50 023 05	Hex.socket hd screw MC6S 12X40-2343	1	1
		ITT Part. No 84 42 54		
79	51 539 00	Suction cover	1	1
87	132 442	Stud 12X80-A2-70	4	4
87	410 722	Stud 12X35-A4-70	2	2
88	410 011	Hexagon nut M12-A4-70	8	1
93	51 538 00	Wear protect.compl.	1	1

Sump Components

Overview

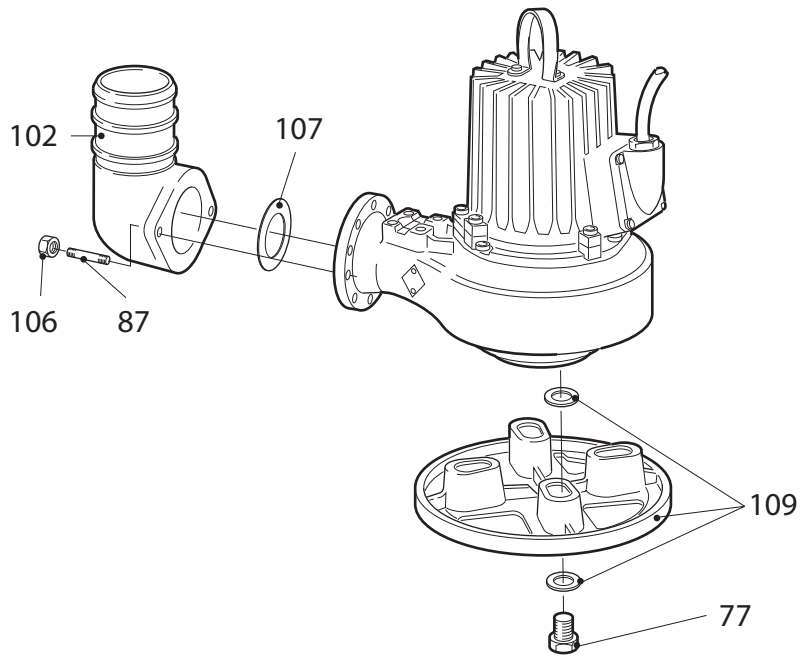
Table of Contents

This chapter contains the following topics:

Topic

Exploded view	23
List.....	24

Exploded view



20071A

List

Pos. No	Part. No	Denomination	Qty/Ver- sion		
			020	190	
77	410 723	Hexagon head screw M12X35-A4-70	ITT Part. No 81 49 12	4	4
102	410 030	Coupling part DN 110 G4" INNER STORZ		1	
102	51 540 00	Discharge connection	DN 100.	1	1
102	51 541 00	Discharge connection	DN 100, Thread : ISO G4A Outer.	1	1
102	51 541 01	Discharge connection	DN 100, Thread : 4-8 NPSM Outer.	1	1
106	132 280	Hexagon nut M12-A2-70		2	2
107	51 534 00	Gasket		1	1
109	51 559 00	Stand unit		1	1
134	51 570 00	Starter START 351-400-B-532-14		1	



Grindex AB • Box 7025 • SE-174 07 Sundbyberg • Sweden • Tel +46 8 606 66 00 • Fax +46 8 745 53 28 • marketing@grindex.com

© Grindex AB. The original instruction is in English. All non-English instructions are translations of the original instruction.