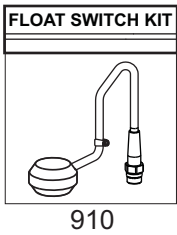
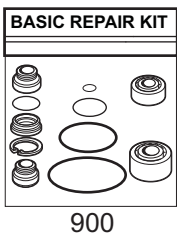
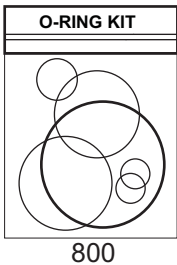
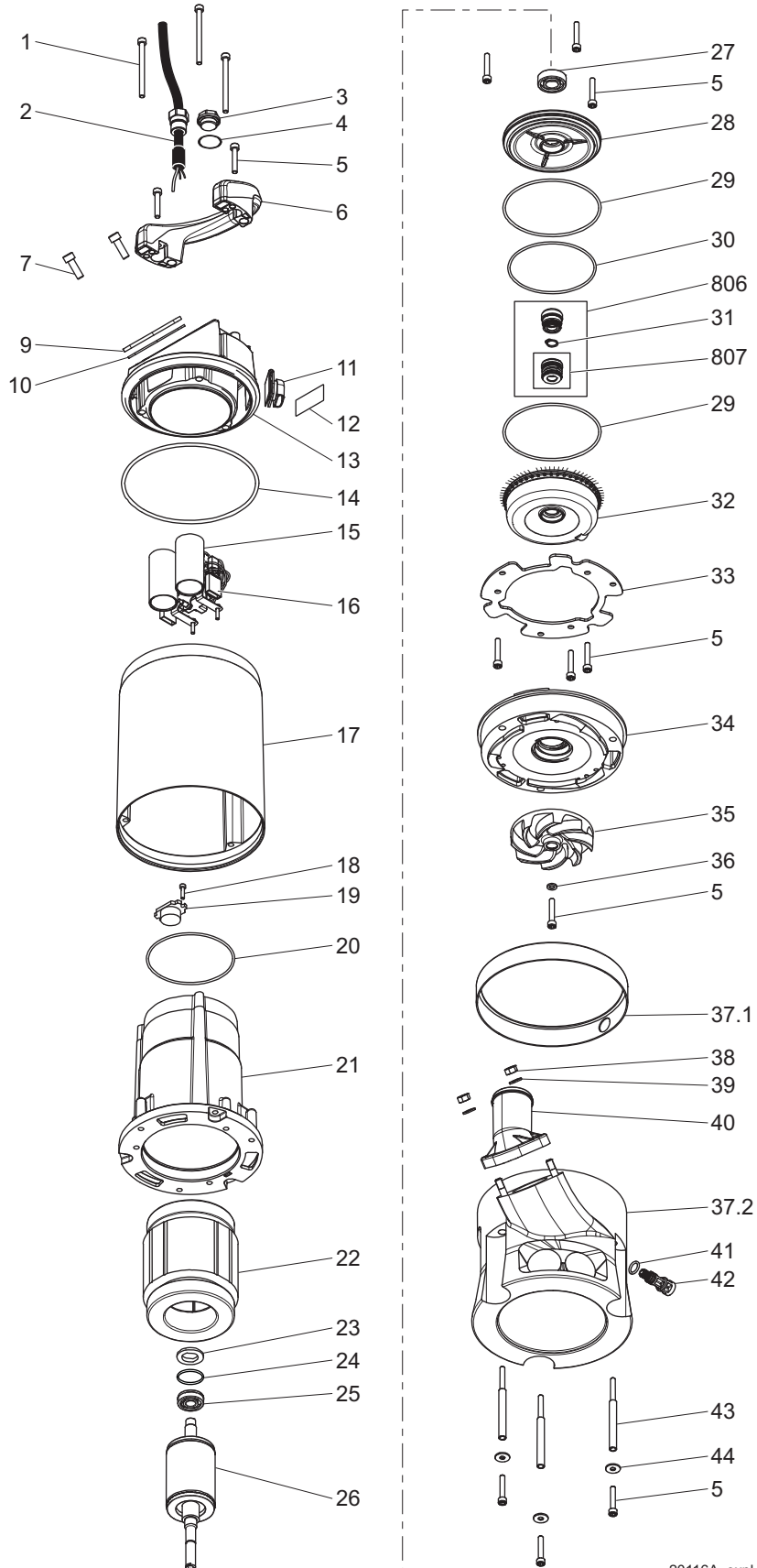


Parts List



www.grindex.com

SOLID 8123.281



Parts List

SOLID 8123.281

Overview

Table of Contents

This publication contains the following topics:

Topic

Introduction	4
Practical Information	5
Data plate interpretation	6
Order parts	7
Spare Parts	8

Introduction

Purpose

The purpose of this manual is to give the reader information about available spare parts and accessories for the product.

Recipient

The manual is principally intended for Grindex

- customers
 - service personnel
 - sales personnel
-

Contact

For more information

- contact your Grindex representative
 - visit <http://www.grindex.com/>
-

Reference

More information about the product is available in the following documents:

- Installation, Operation and Maintenance
 - Grindex accessories list
-

Practical Information

Overview

Table of Contents

This chapter contains the following topics:

Topic

Data plate interpretation	6
Data plate	6
Order parts	7

Data plate interpretation

Introduction

The Grindex product is always provided with data plates:

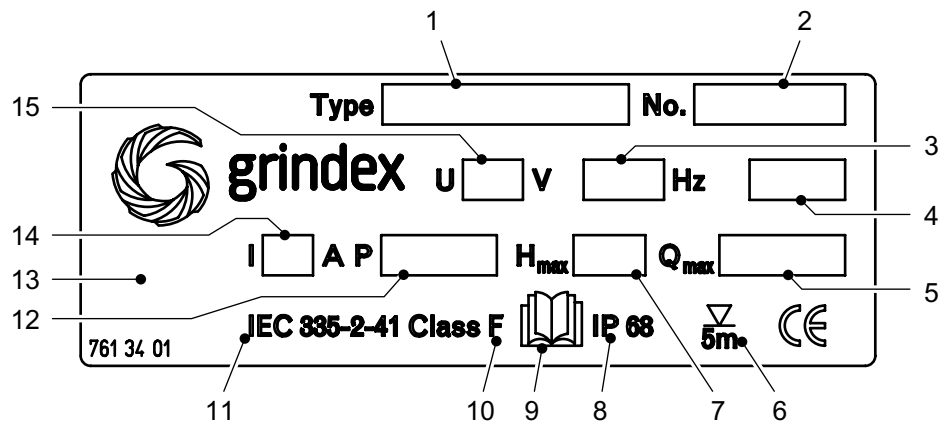
- The general data plate is used on all products.
- The approval plate is added to all explosion proof products.

Data plate

The product may only be operated within the parameters stated on the data plate.

Illustration

This is an illustration of a general data plate.



Field description

This table shows the fields on the general data plate, and which information each field contains.

Field	Description	Field	Description
1	Pump model	9	Read installation manual
2	Serial number	10	Thermal class
3	Phase; type of current; frequency	11	International standard
4	Product weight	12	Rated shaft power
5	Maximum capacity	13	Country of origin
6	Maximum submergence	14	Rated current
7	Maximum head	15	Rated voltage
8	Degree of protection	-	-

Order parts

Order

When ordering spare parts, state product number and serial number of the product, spare part number and quantity.

Requirements

Genuine Grindex parts must always be used for repairs if the product is to fulfill requirements and obtain official approval.

Specially Approved Products

Spare parts marked with ^(EX) after the part number are subject to dimensional accuracy inspection.

Spare Parts

Pos. No	Part. No	Denomination	Qty/Version	
			281	
1	410 777	Hex.socket hd screw M6X80-A2-70	3	
2	51 649 00	Motor cable unit 532.1U+H07RN-F 3X1 MM2	1	
2	51 649 01	Motor cable unit SOOW-16AWG/3 115V USA CDN	1	
2	51 649 02	Motor cable unit H07RN-F 3X1 MM2 230V GB	1	
2	51 649 03	Motor cable unit H07RN-F 3X1 MM2 230V AUS	1	
2	51 649 04	Motor cable unit H07RN-F 3X1 MM2 110V GB	1	
2	51 649 05	Motor cable unit SOW-16AWG/3 230V USA CDN	1	
2	51 649 06	Motor cable unit H07RN-F 3X1 MM2 CH	1	
3	51 650 00	Plug	1	
4	410 778	O-ring 20.0X2.0 NBR	1	
5	410 757	Hex.socket hd screw M6X35-A2-70	12	
6	51 651 00	Handle	1	
7	50 021 32	Hex.socket hd screw M8X16-A4-70	2	
9	50 626 01	Cover	1	
10	50 627 00	Gasket	1	
12	51 652 00	Data plate	1	
13	51 653 00	Cover unit	1	
14	130 944	O-ring 149.3X5.7 NBR	1	
15	50 893 01	Capacitor 14 MFD 450V	1	
15	50 893 02	Capacitor 30 MFD 275V	1	
15	50 893 03	Capacitor 35 MFD 275V	1	
15	51 662 00	Starter unit	1	
16	410 780	Terminal device 48X12X6 MAX.380V 18A	1	
16	410 781	Terminal device 54X21X8.5 MAX.380V 18A	1	
17	51 655 00	Cooling jacket	1	
18	410 008	Hex.socket hd screw M4X16-A2-70	1	
19	50 844 04	Motor switch 115V 50HZ	1	

Pos. No	Part. No	Denomination	Qty/Version	
			281	
19	50 844 05	Motor switch 230V 50HZ	1	
19	50 844 06	Motor switch 115V 60HZ	1	
19	50 844 07	Motor switch 230V 60HZ	1	
20	132 017	O-ring 99.5X3.0 NBR	1	
21	51 654 00	Stator housing	1	
22	50 780 00	Stator 12-08-2b	1	115V.
22	50 780 01	Stator 12-08-2b	1	230V-240V.
23	50 452 00	Spring washer 31.5X25X0.35	1	
24	50 037 35	O-ring 26.0X1.2 NBR	1	
25	50 287 02	Ball bearing 12X32X10	1	
26	51 656 01	Shaft unit	1	
27	50 287 01	Ball bearing 15X35X11	1	
28	51 657 00	Bearing housing	1	
29	50 037 38	O-ring 114.5X3.0 NBR	2	
30	50 037 02	O-ring 104.5X3.0 NBR	1	
31	50 453 00	Retaining ring	1	
32	50 443 00	Oil housing	1	
33	51 658 00	Washer	1	
34	50 447 00	Wear protection	1	
35	50 593 00	Impeller	1	50Hz.
35	50 593 03	Impeller	1	60Hz.
36	50 020 05	Plain washer	1	
37	50 876 00	Pump housing unit	1	
37.1	50 855 00	Supporting ring	1	
37.2	50 854 00	Pump housing	1	
38	50 021 37	Hexagon nut M8-A4-70	2	
39	132 289	Plain washer 8-A2-A-170	2	
40	410 027	Coupling part DN 52 INNER G2B STORZ	1	
40	50 839 00	Discharge connection 2"	1	
40	50 839 01	Discharge connection NPSM 2"	1	
40	50 839 02	Discharge connection G2"	1	
41	50 037 34	O-ring 10.3X2.4 NBR	1	
42	50 445 00	Inspection screw	1	
43	51 660 00	Barrel nut	3	
44	50 020 06	Plain washer 9021-6,4X18X1,6	3	
800	51 663 00	O-ring kit	1	
900	51 664 00	Basic repair kit	1	
910	51 665 00	Float switch kit	1	



Grindex AB • Box 7025 • SE-174 07 Sundbyberg • Sweden • Tel +46 8 606 66 00 • Fax +46 8 745 53 28 • marketing@grindex.com

© Grindex AB. The original instruction is in English. All non-English instructions are translations of the original instruction.